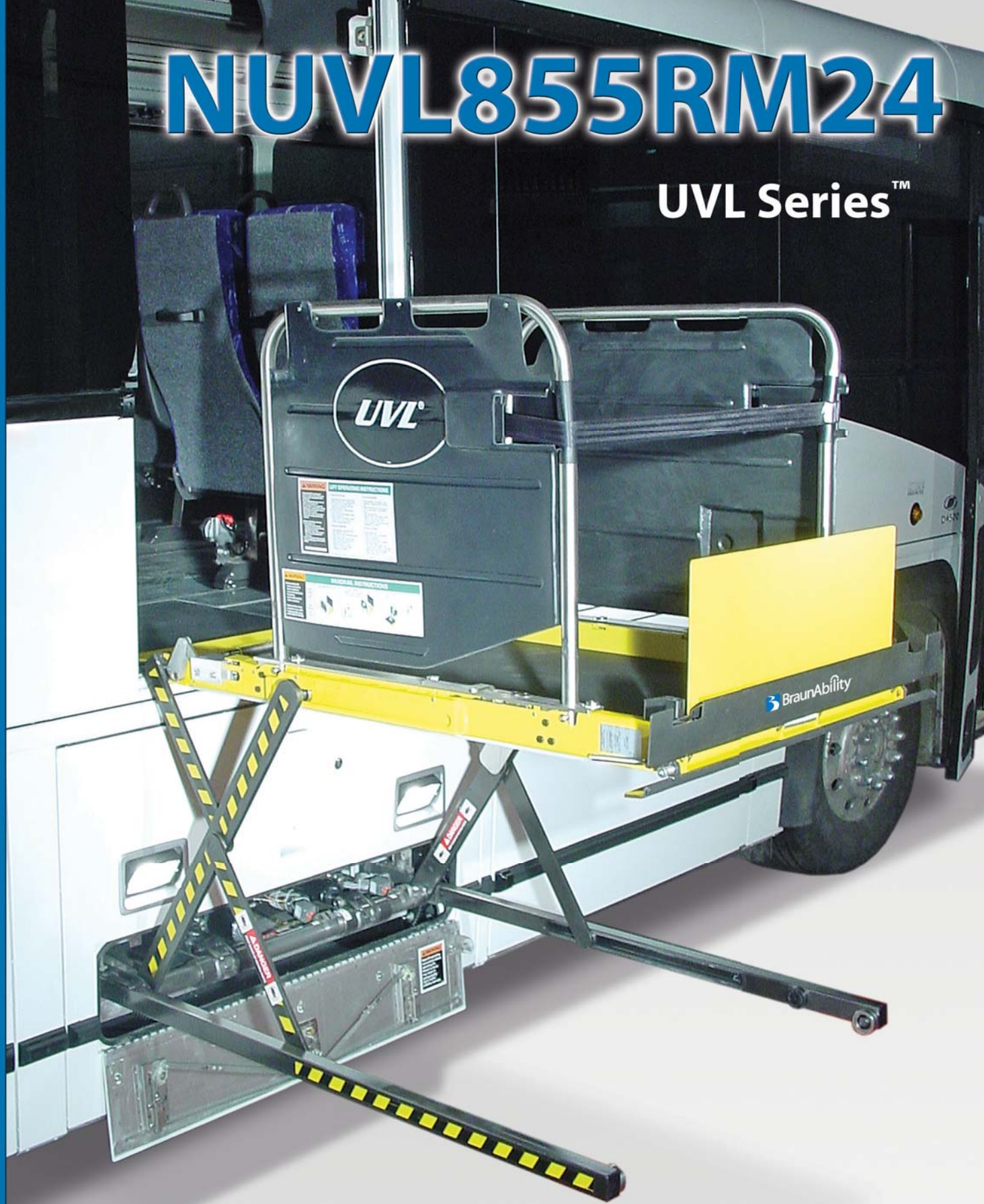


NUVL855RM24

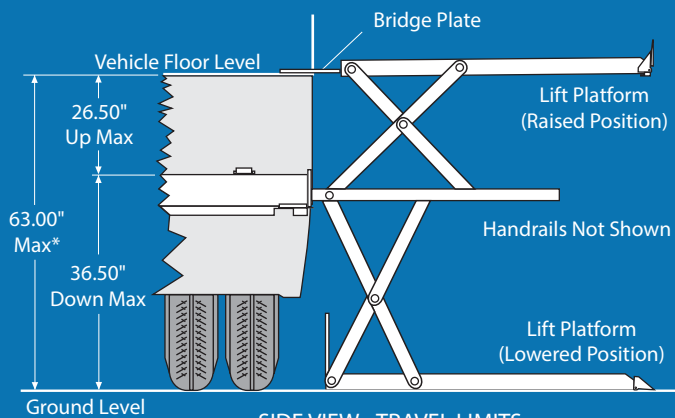
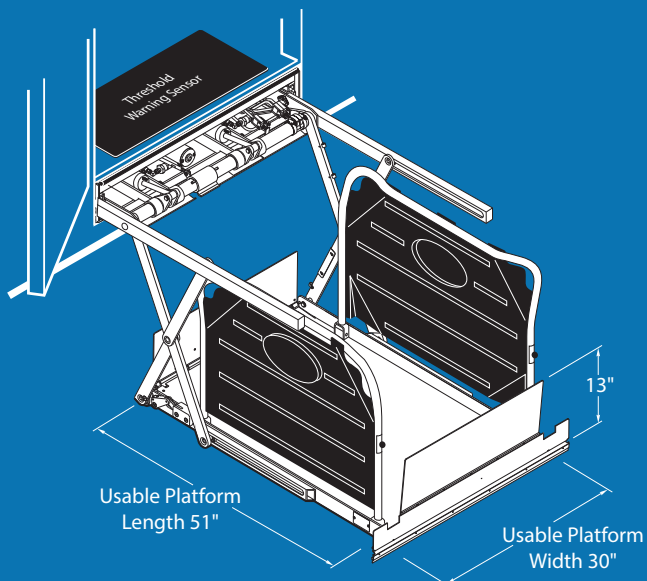
UVL Series™

Commercial Wheelchair Lifts

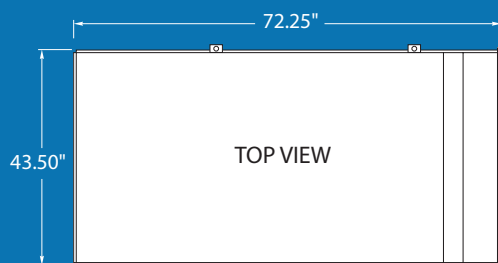
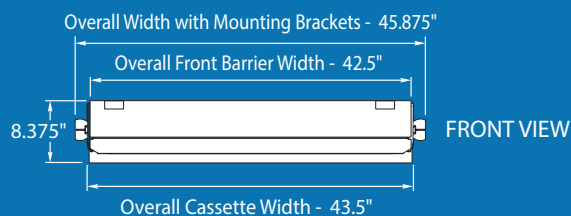


 **BraunAbility**
Life is a Moving Experience™

NUVL855RM24



SIDE VIEW - TRAVEL LIMITS



- FMVSS 403 compliant
- Automatic inboard / outboard barriers
- 750# lifting capacity
- Scissor arm design provides smooth straight up and down motion
- Interlocking handrail belt
- Handrail covers for safety

 **BraunAbility**
Life is a Moving Experience™

631 West 11th Street • Winamac, IN 46996
(574) 946-6153 • 1-800-THE-LIFT
www.braunability.com/commercial

All illustrations, descriptions and specifications in this brochure are based on the latest product information at the time of publication. BraunAbility reserves the right to make changes at any time without notice. © 2014 The Braun Corporation 34678